

# Help Sheet for Sub-Contractors

## Why is it important to follow the Texas Accessibility Standards (TAS)?

The Texas Department of Licensing and Regulation is committed to making Texas accessible for all. It is important to comply with the TAS so all Texans can achieve maximum independence.

### The General Standards

#### Protruding Objects Limits 307.2

- For the safety of persons with visual impairments, it is important to prevent objects from sticking out, hanging down, and rising into areas where users are unfamiliar with the layout.
- Items such as wall mounted paper towel dispensers, hand dryers, or trash receptacles that are mounted between 27 inches and 80 inches above the finished floor may not protrude more than 4 inches from the vertical surface.

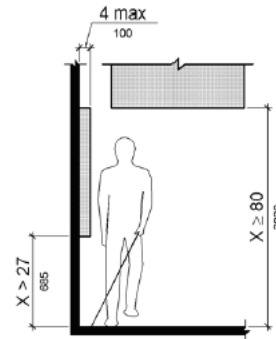
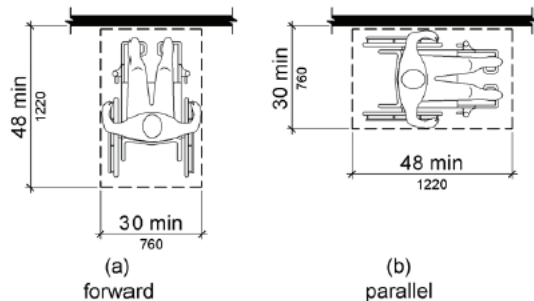


Figure 307.2 Limits of Protruding Objects

#### Operable Parts 309.4

An operable part is used to insert, withdraw, activate/deactivate, or adjust the element. These can be elements such as soap dispensers, vending pulls, or toilet paper dispensers. Operable parts must be operable with one hand and cannot require tight grasping, pinching, or twisting of the wrist.

#### Clear Space 305.5



Installed objects that involve operable parts must provide a level clear floor space. This can either be forward or parallel approach. See diagram at left.

Figure 305.5 Position of Clear Floor or Ground Space

### Reach

#### 308.2.1, 308.3.1 Unobstructed Reach

Where there is nothing in front of or to the side of the user the reach is considered unobstructed. The highest operable part can be no more than 48 inches high and no lower than 15 inches above the finish floor.

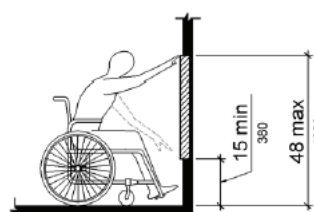


Figure 308.2.1 Unobstructed Forward Reach

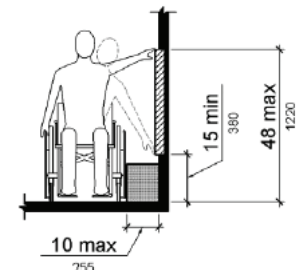


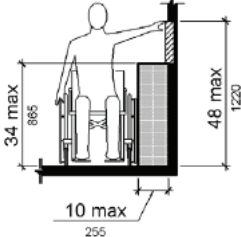
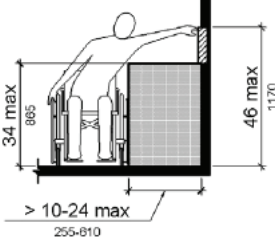
Figure 308.3.1 Unobstructed Side Reach

# Help Sheet for Sub-Contractors, Pg. 2

## 308.2.2, 308.3.2 Obstructed Reach

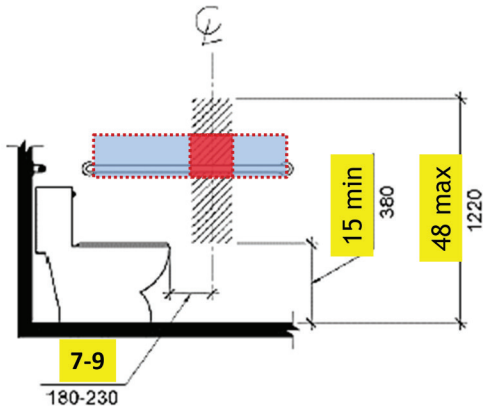
An obstructed reach is when a user must reach over an element to get to an installed object. When forward approach is provided, knee and toe clearance under the obstruction must also be provided. The depth of the obstruction dictates the maximum height of reach.

Approach	Depth of Obstruction	Maximum Height Depth
Forward	0" - 20" max	48"
	20" - 25" max	44"
Parallel	0" - 10" max	48"
	10" - 24" max	46"

**Figure 308.3.2 Obstructed High Side Reach**

## Product Specific - Toilet Paper Dispenser Standards 604.7



Toilet paper dispensers for the accessible toilet(s) must comply with operable parts 309.4 and be located no less than 7 inches or more than 9 inches from the front of the toilet measured to the centerline of the dispenser. The outlet of the dispenser must be located no less than 15 inches or more than 48 inches above the finish floor and cannot be located behind a grab bar, within 12 inches above the grab bar surface, or within half an inch below the grab bar surface. Dispensers cannot be of a type that controls delivery or that does not allow continuous paper flow.

### There was a construction mistake, what should I do?

Fix it as quickly as possible. The TAS requirements must be applied during the design, construction, additions, and alteration of sites, facilities, buildings, and elements to the extent required by regulations issued by *the Texas Department of Licensing and Regulation under the authority of Texas Government Code, Chapter 469.*

### What if I chose not to fix the violation?

You could potentially file a variance request. Questions regarding waivers or details on compliance may be sent to [techinfo@tdlr.texas.gov](mailto:techinfo@tdlr.texas.gov). Construction or design errors will not be waived.

Link to online searchable TAS: [www.tdlr.texas.gov/ab/2012TAS/2012tascomplete.pdf](http://www.tdlr.texas.gov/ab/2012TAS/2012tascomplete.pdf)